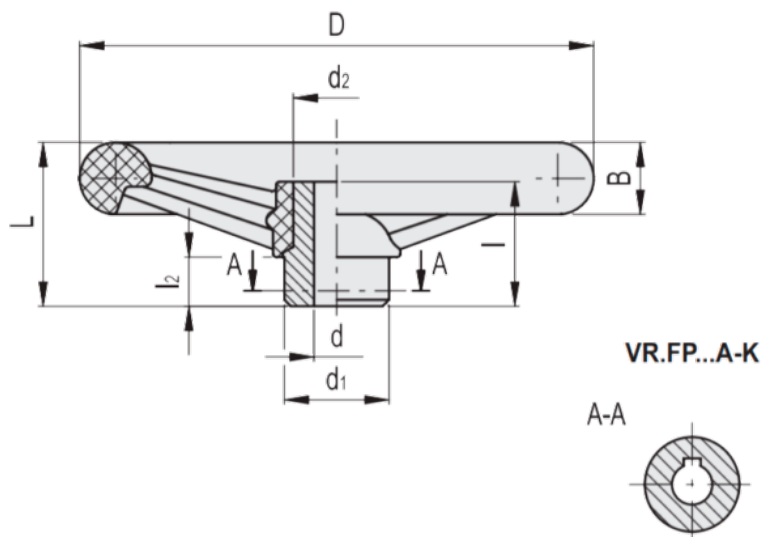


Article number: 23017761120  
 Description: E+G Handwheel  
 VR.200 FP-A20

## Measures

VR.FP-A



B	= 26	l	= 43
b	= 6	L	= 57
C (N*m)	= 300	L (J)	= 16
D	= 198	l2	= 15
d1	= d13	t	= 24.8
d2	= 30.5		
d'	= 26		
d''	= 22		